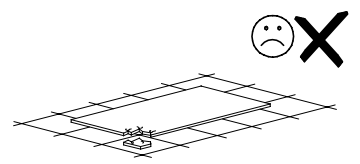
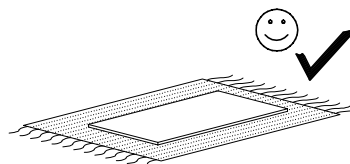
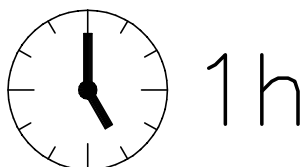
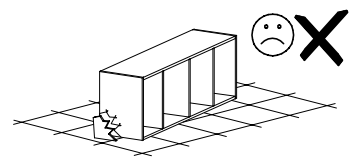
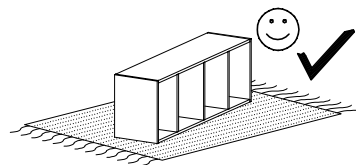
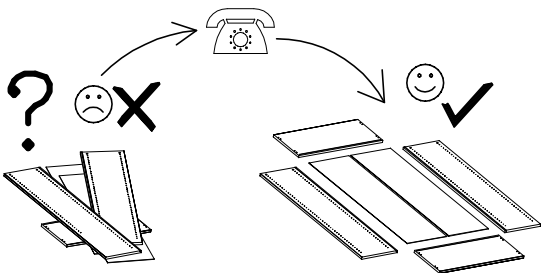
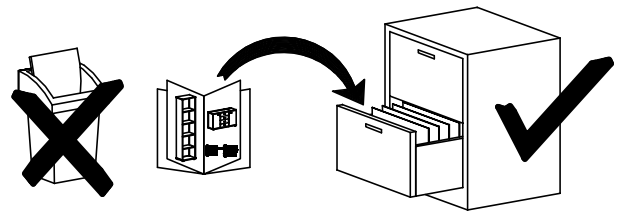
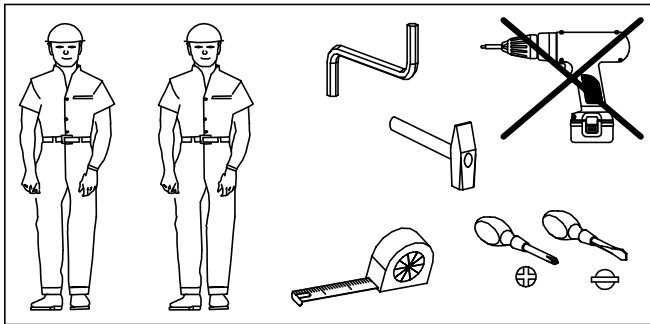
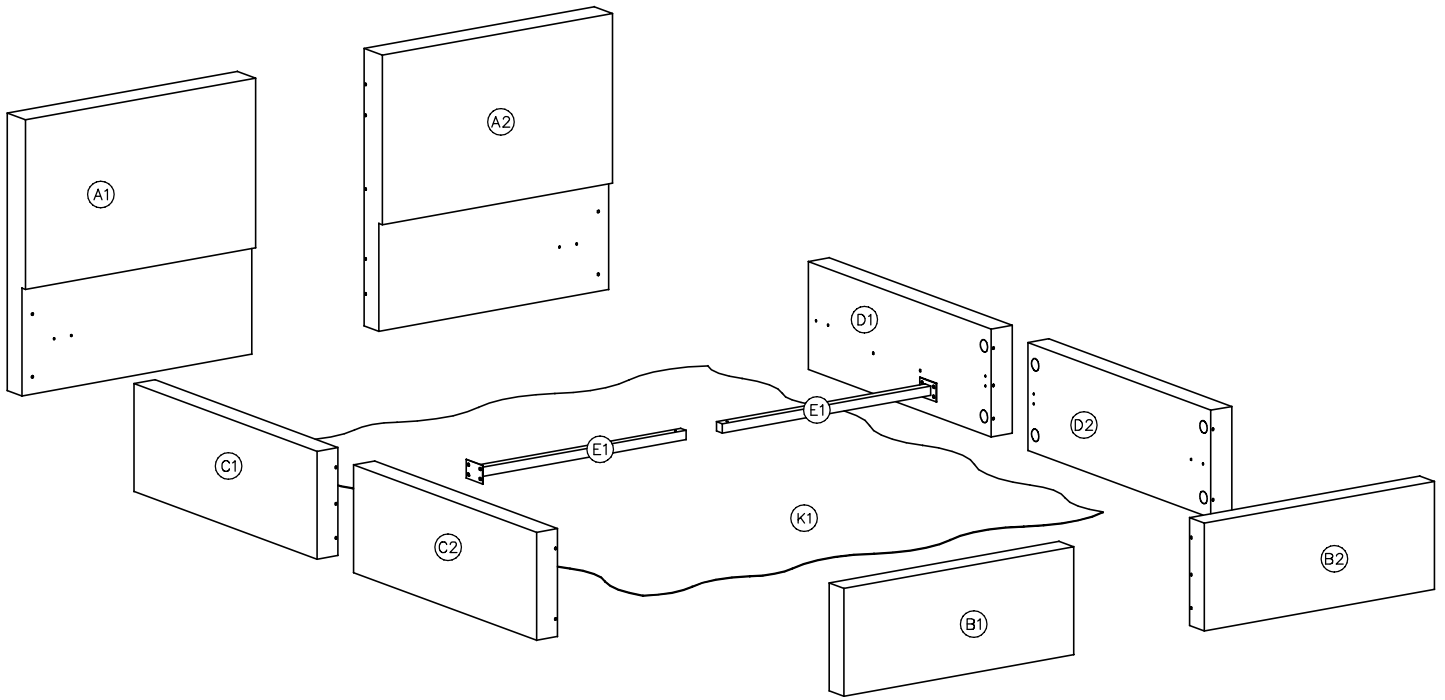
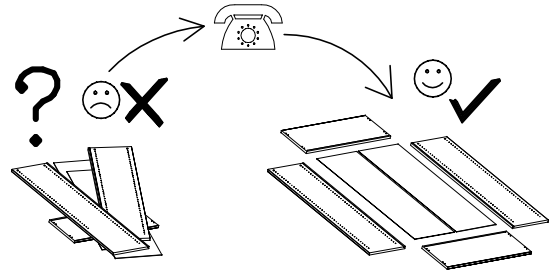
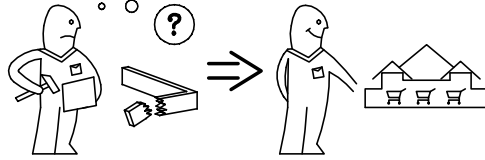
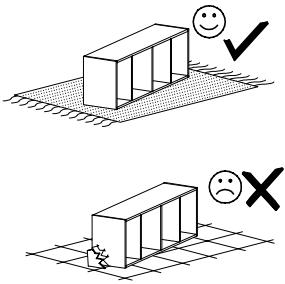
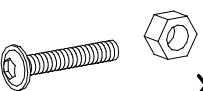


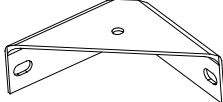
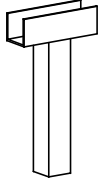
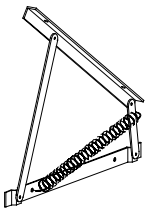
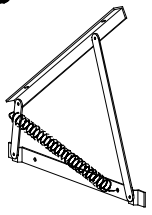

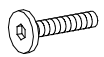


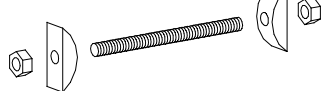
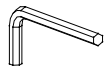



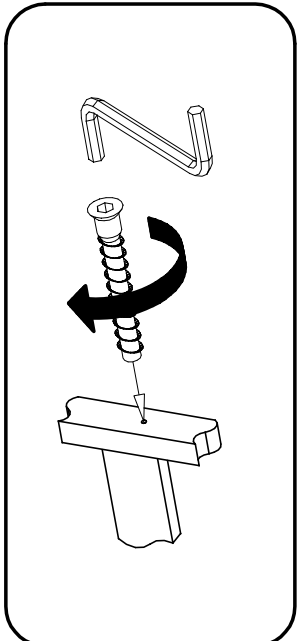
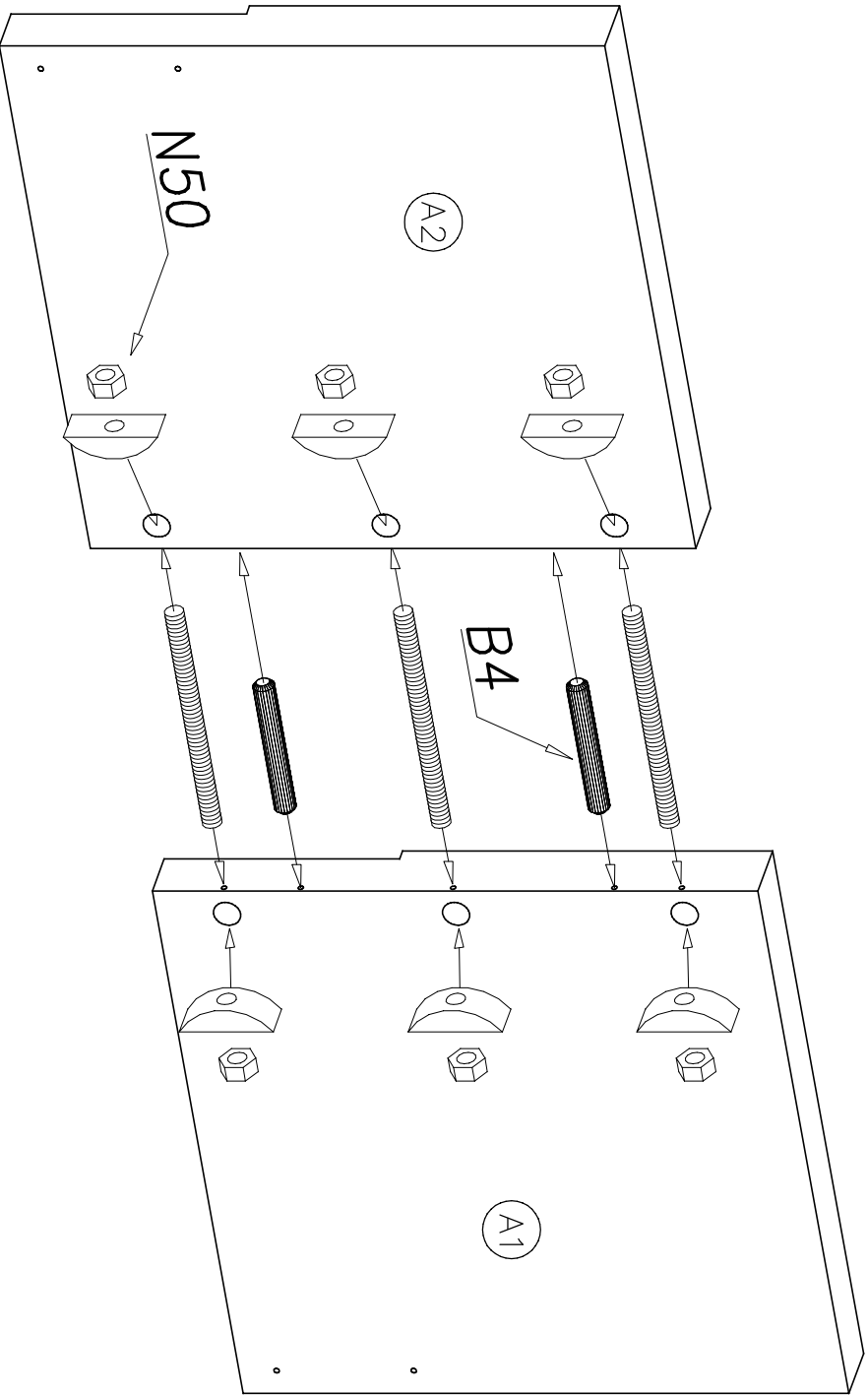
# HILTON 01





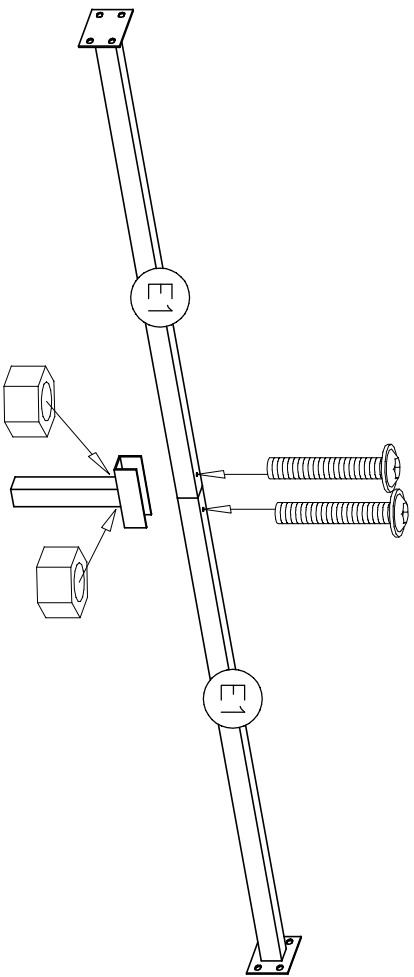
 <p>x2</p>	<p>I6</p>  <p>30x30 x7</p>	<p>I5</p>  <p>x22</p>	<p>P6</p>  <p>x4</p>	<p>P7</p>  <p>x1</p>
<p>L3a</p>  <p>x1</p>	<p>L3b</p>  <p>x1</p>	<p>G2</p>  <p>x2</p>		
<p>N30</p>  <p>M6x15 x28</p>	<p>A6</p>  <p>6x50 x4</p>	<p>B4</p>  <p>ø8x50 x5</p>	<p>N50</p>  <p>M6x100 x9</p>	
	<p>L4</p>  <p>4mm x1</p>	<p>N51</p>  <p>M6x100 x4</p>		

HILTON 01

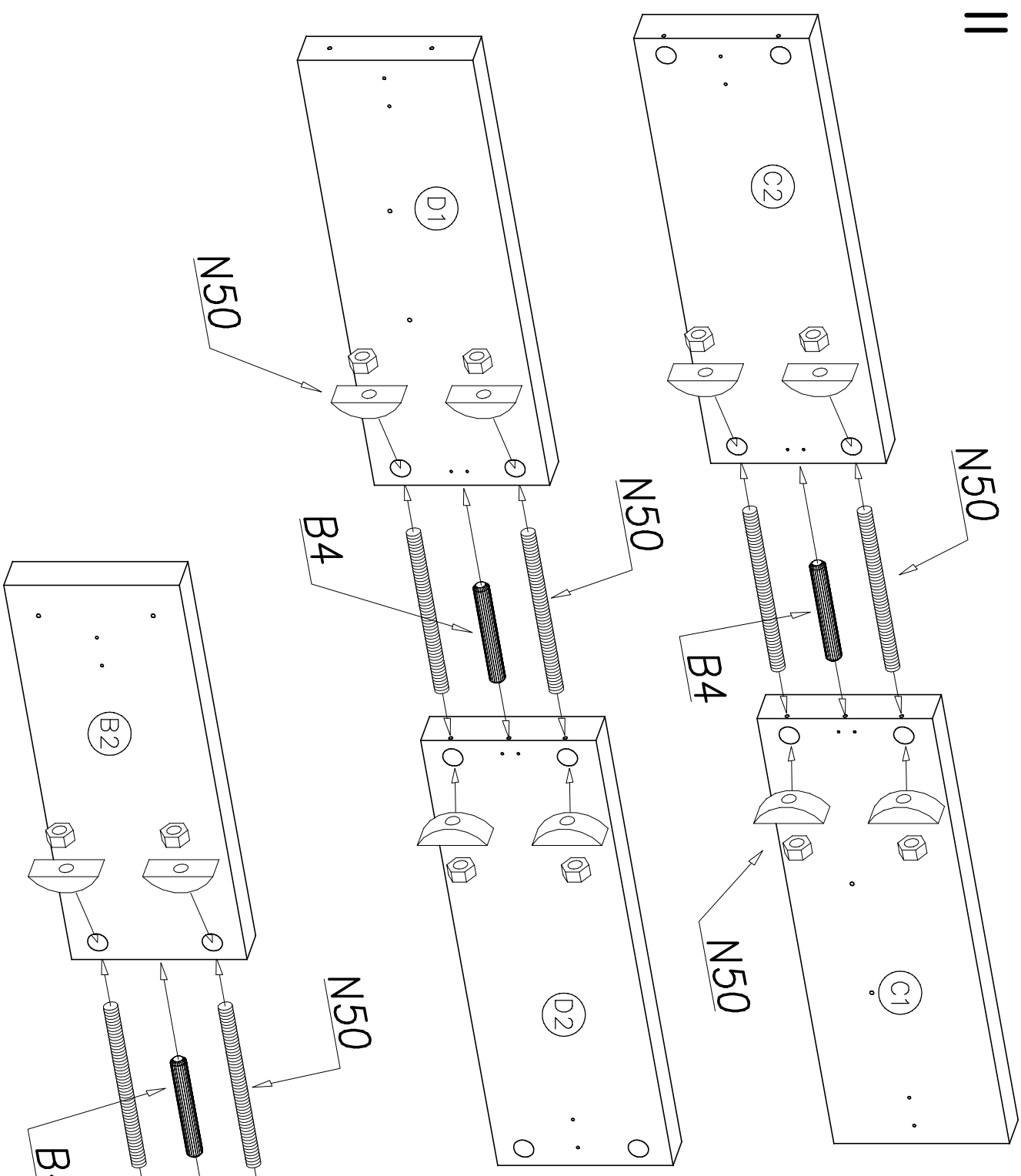


N50			
M6x100	x2	x3	
G2		x2	





B4		x2
P7		x1

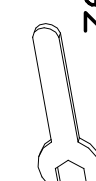


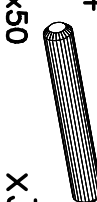
HILTON 01



||

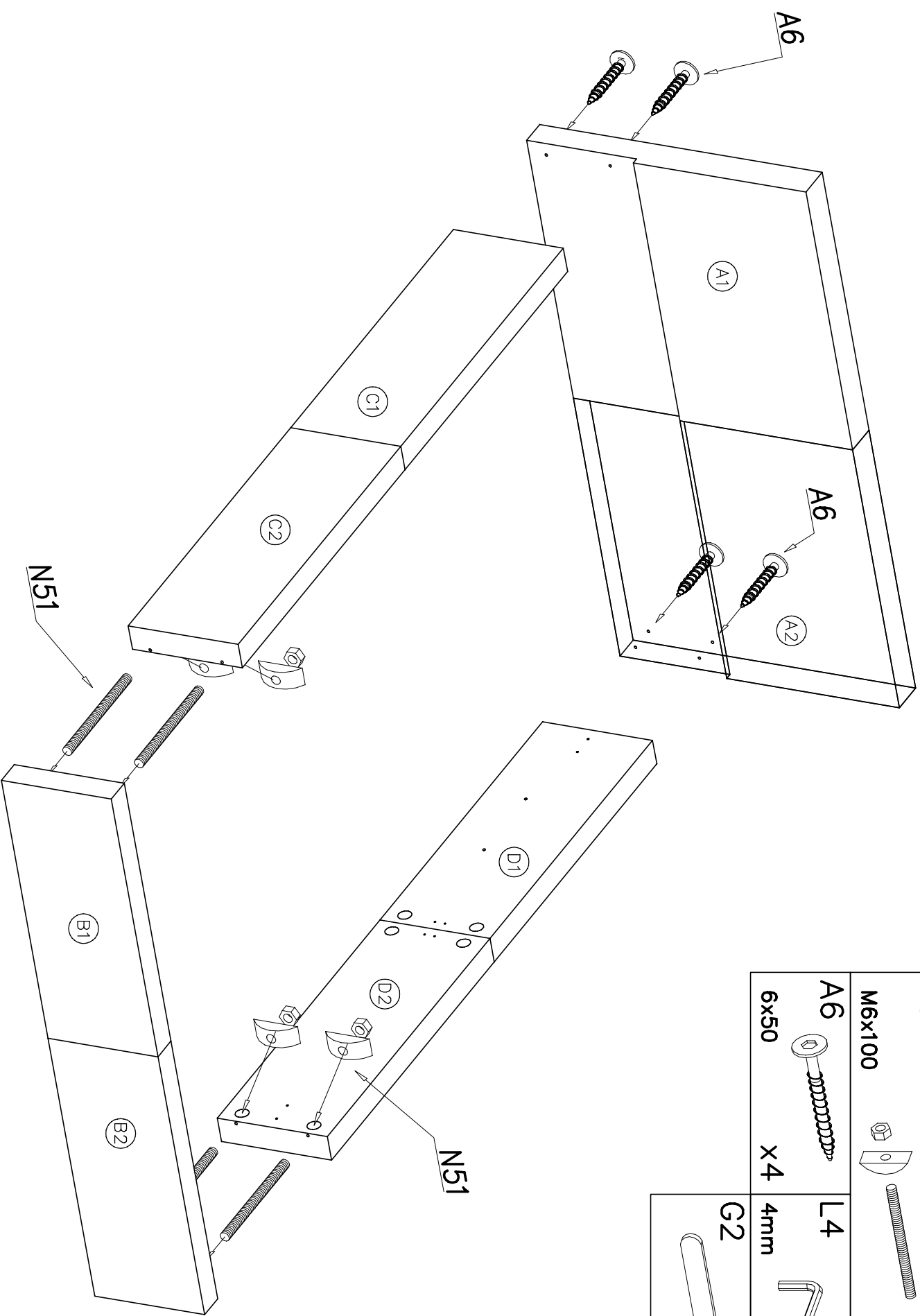
- N50    x6
- M6x100  x6

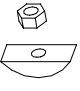
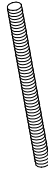
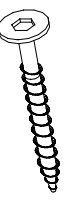

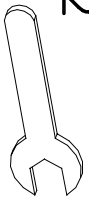
- G2  x2

- B4  x3
- Ø8x50

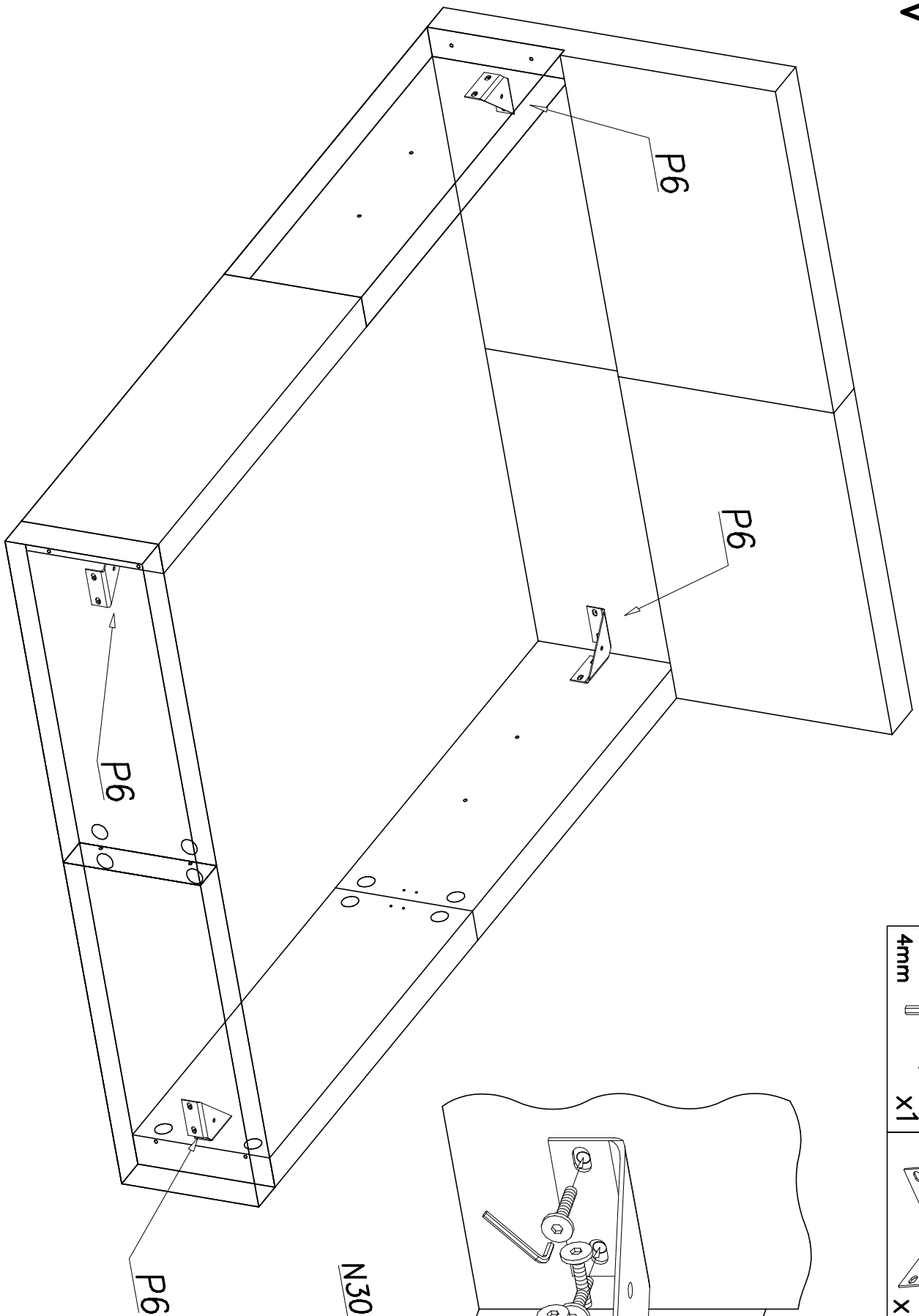
HILTON 01

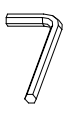
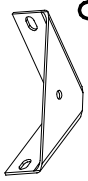

III

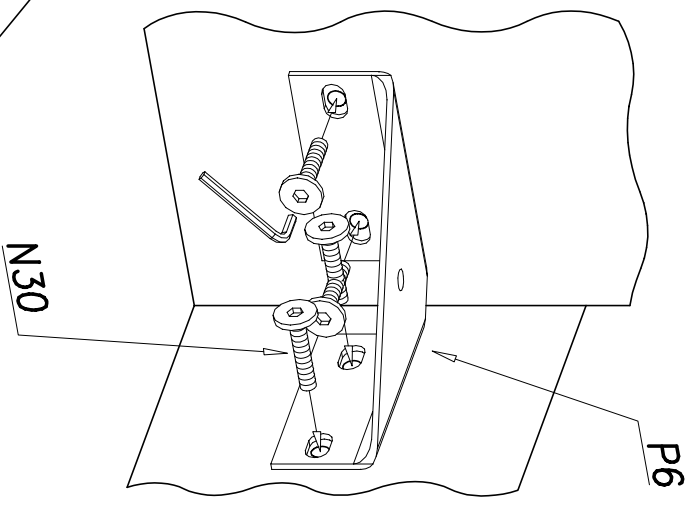


N51			X4
A6		L4	X1
6x50	X4	4mm	X1
			X1
			X2

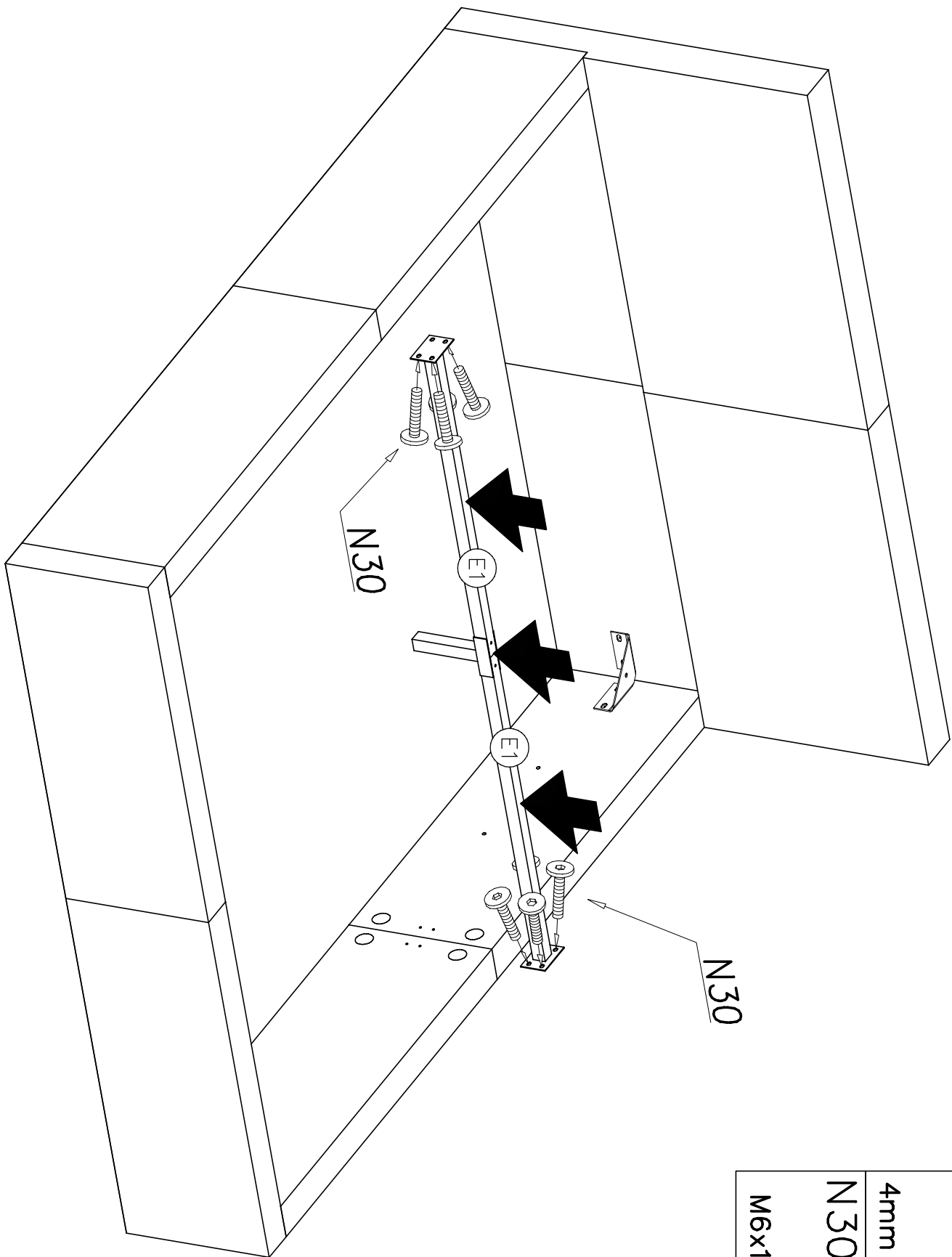
IV

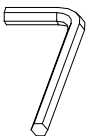
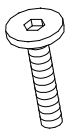
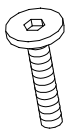


L4	P6	N30
4mm	x4	M6x15
		
x1	x4	x16

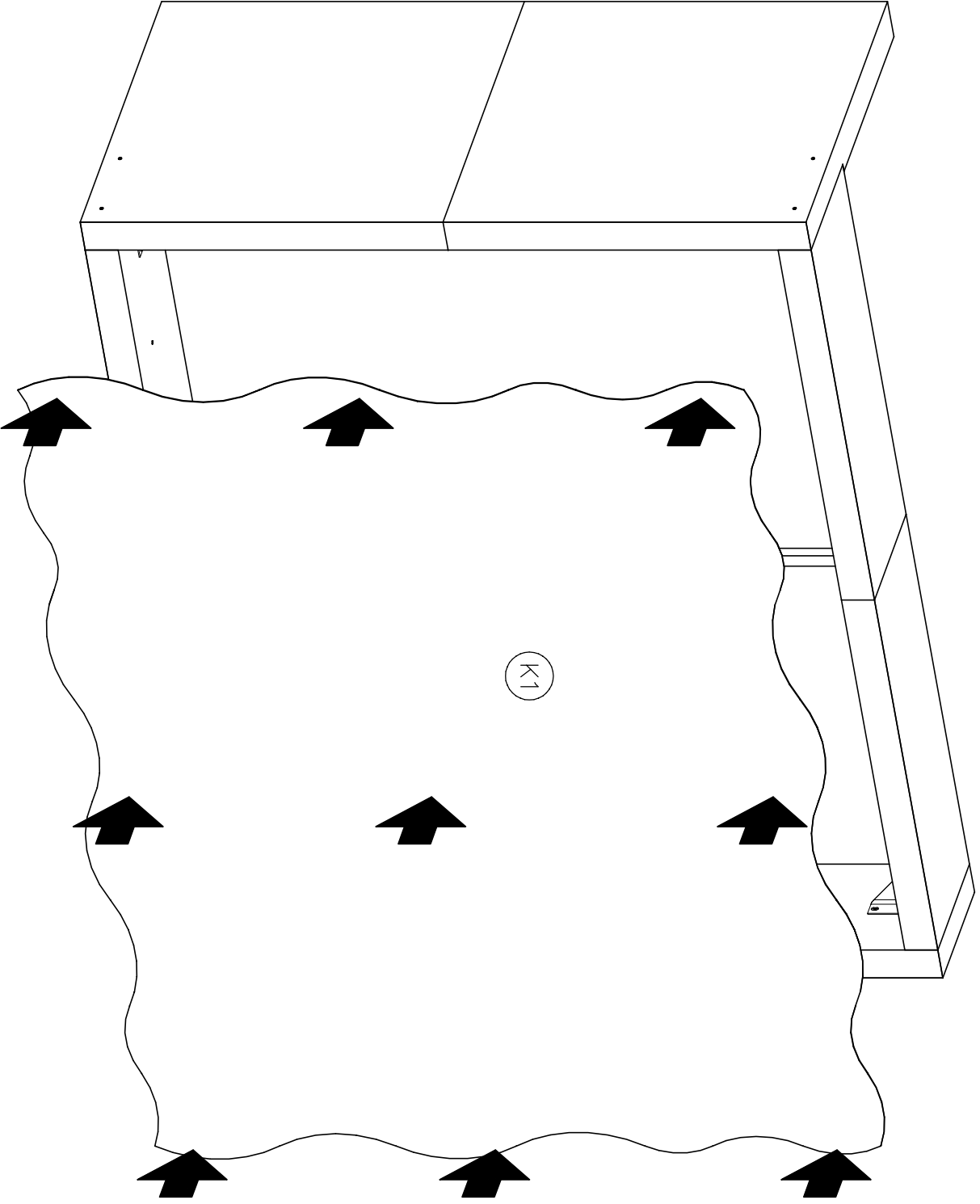


V

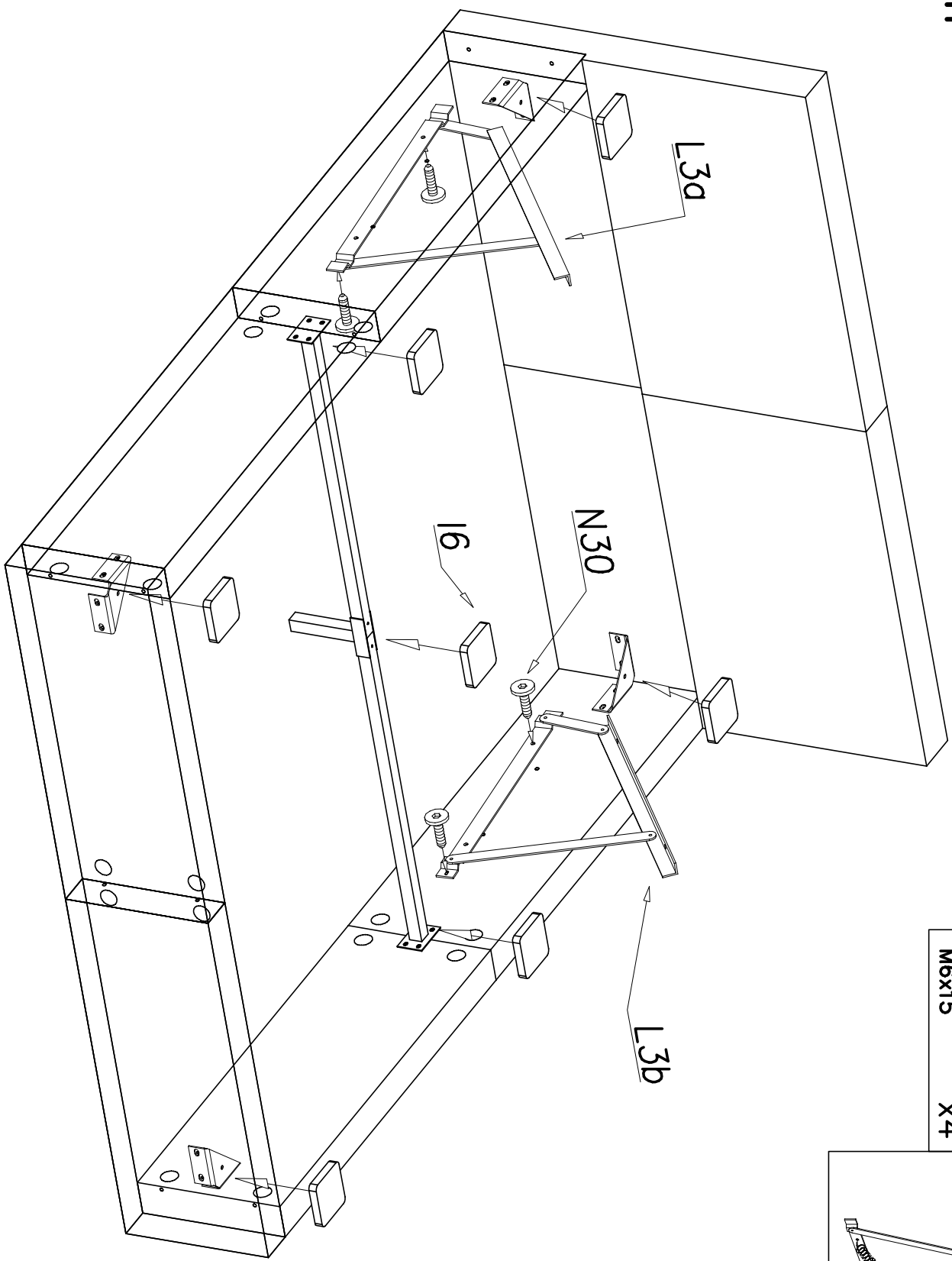


L4		X1
N30		X8
M6x15		X8

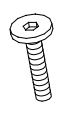
VI



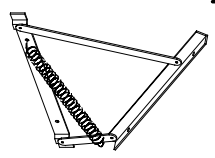
VII



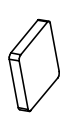
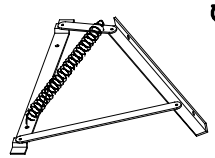
N30  
M6x15  
x4



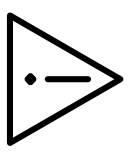
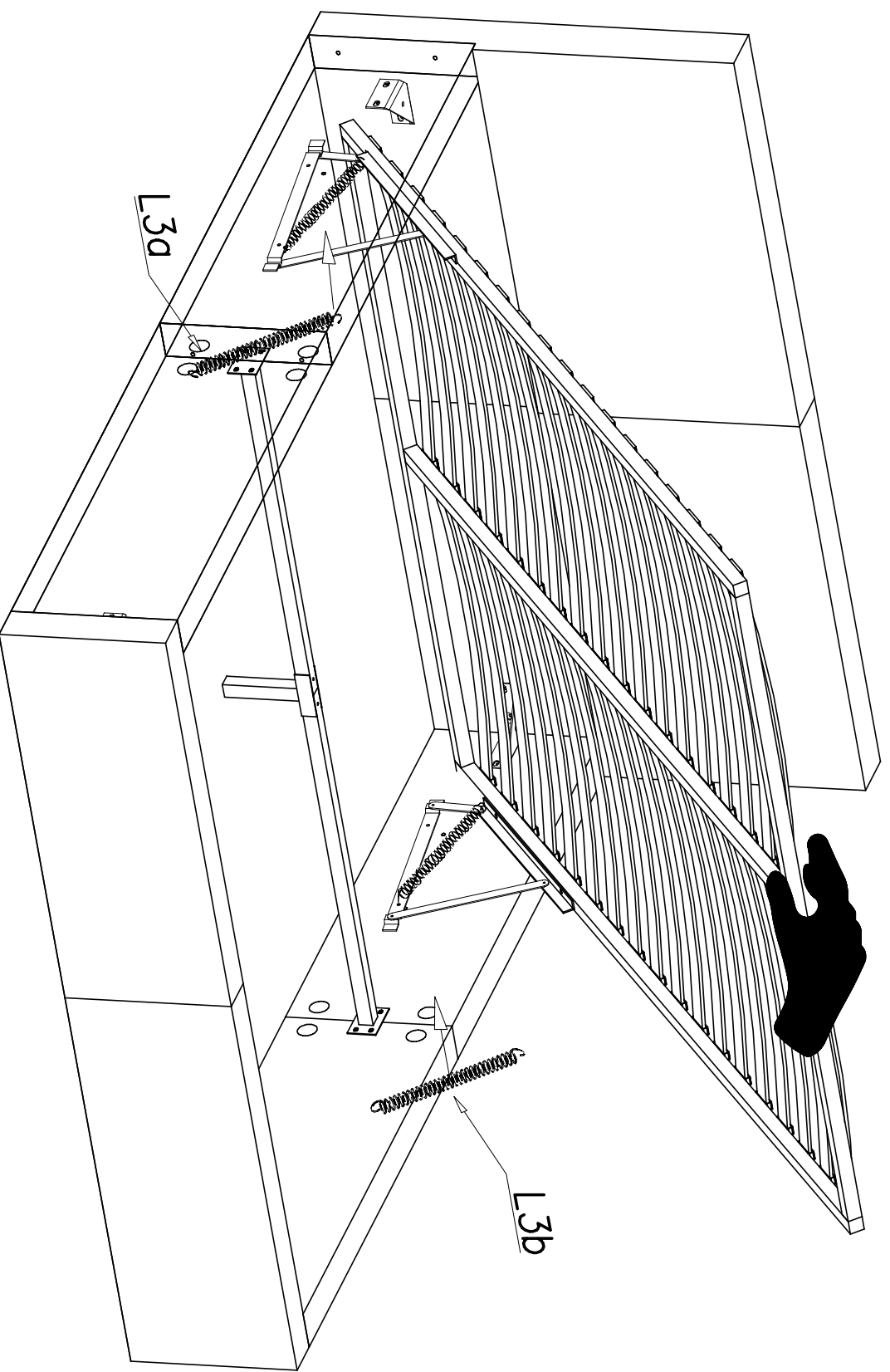
L3a  
x1



L3b  
16  
30x30  
x7



VIII



L3a+L3b  
x2